

## Data Sheet

Customer:

Product: Current Sensing Chip Resistor (Wide Terminal) – CSW Series

Size: 0508/0612/1020/1225

Issued Date: 13-Sep-22

Edition: REV.A2



VIKING TECH CORPORATION

光頤科技股份有限公司

No.70 Guangfu N. Rd., Hukou  
Township, Hsinchu County 303,  
Taiwan

TEL:886-3-5972931

FAX:886-3-5972935•886-3-5973494

E-mail:sales@viking.com.tw

VIKING TECH CORPORATION KAOHSIUNG BRANCH

光頤科技股份有限公司高雄分公司

No.248-3, Sin-Sheng Rd., Cian-Jhen Dist., Kaohsiung,  
806, Taiwan

TEL:886-7-8217999

FAX:886-7-8228229

E-mail:sales@viking.com.tw

VIKING ELECTRONICSW (WUXI) CO., LTD.

光頤電子(無錫)有限公司

No.22 Xixia Road, Machinery & Industry Park,  
National Hi-Tech Industrial Development Zone  
of Wuxi, Wuxi, Jiangsu Province, China  
Zip Code:214028

TEL:86-510-85203339

FAX:86-510-85203667•86-510-85203977

E-mail:china@viking.com.tw

Produced by (QC)	Checked (QC)	Approved by (QC)	Prepared by (Sales)	Accepted by (Customer)
13-Sep-22	13-Sep-22	13-Sep-22		
<b>Alice Hsiao</b>	<b>Susan Huang</b>	<b>Susan Huang</b>		

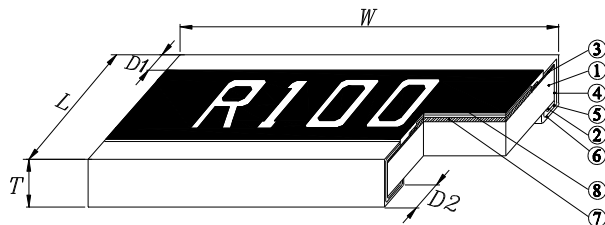
## Current Sensing Chip Resistor (Wide Terminal)

### ■ Features

- Highly reliable multilayer electrode construction
- Reduced size of final equipment reliability
- 3 Watts power rating in 1 Watt size, 1225 package
- Resistance values from 10m to 750mΩ
- High purity alumina substrate for high power dissipation
- Long side terminations with higher power rating
- RoHS Compliance



### ■ Construction



### ■ Applications

- Power Management Applications
- Switching Power Supply
- Over Current Protection in Audio Applications
- Voltage Regulation Module (VRM)
- DC-DC Converter, Battery Pack, Charger, Adaptor
- Disk Driver

① Alumina Substrate	④ Edge Electrode	⑦ Resistor Layer
② Bottom Electrode	⑤ Barrier Layer	⑧ Overcoat
③ Top Electrode	⑥ External Electrode	

### ■ Dimensions

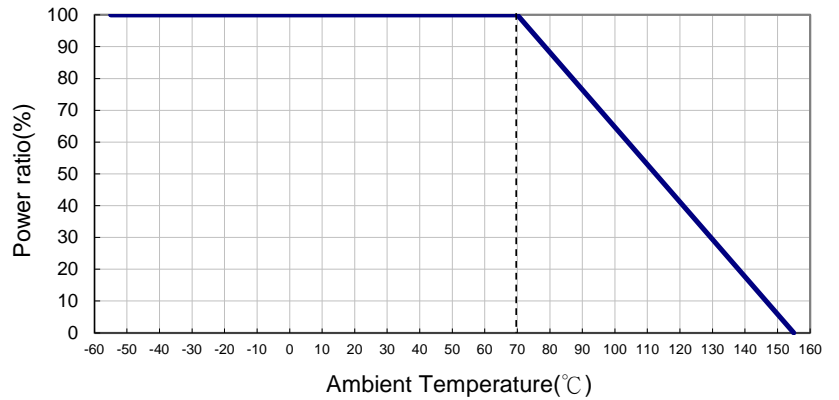
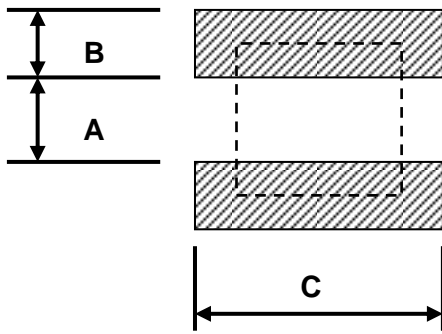
Type	Size (Inch)	L (mm)	W (mm)	T (mm)	D1 (mm)	D2 (mm)	Weight (g) (1000pcs)
CSW08	0508	1.25±0.15	2.00±0.15	0.60±0.10	0.30±0.20	0.35±0.15	6
CSW62	0612	1.60±0.15	3.20±0.15	0.60±0.10	0.30±0.20	0.45±0.15	12
CSW20	1020	2.50±0.15	5.00±0.15	0.60±0.10	0.40±0.20	0.75±0.15	35
CSW25	1225	3.10±0.15	6.30±0.15	0.60±0.10	0.45±0.20	0.75±0.15	48

### ■ Part Numbering

CSW	25	F	T	F	R	R100	
Product Type	Dimensions (LxW)	Resistance Tolerance	Packaging Code	TCR (PPM/°C)	Power Rating	Resistance	Marking
	08: 0508 62: 0612 20: 1020 25: 1225	F: ±1% J: ±5%	T: Taping Reel	E: ±100 F: ±200 J: ±600	U: 1/2W Q: 3/4W T: 1W A: 1.5W S: 2W R: 3W	R010: 0.01Ω R100: 0.1Ω	N: No Marking

**Recommend Land Pattern**

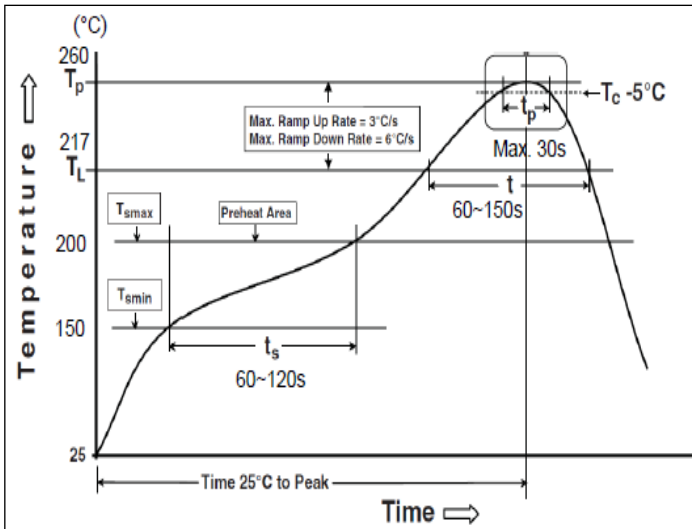
**Derating Curve**



Pad Layout

Type	A (mm)	B (mm)	C (mm)
CSW08	0.55	0.90	2.00
CSW62	0.70	0.80	3.20
CSW20	1.00	1.30	5.00
CSW25	1.60	1.20	6.40

**Soldering Condition (Ref. IPC/JEDEC J-STD-020 & J-STD-002)**



Reflow Profiles	
Profile Feature	Pb-Free Assembly
<b>Preheat</b>	
Min. Temperature (T <sub>min</sub> )	150 °C
Max Temperature (T <sub>max</sub> )	200 °C
Preheating time (t <sub>s</sub> ) from (T <sub>min</sub> to T <sub>max</sub> )	60-120 seconds
Ramp-up rate (T <sub>L</sub> to T <sub>p</sub> )	3 °C/second max.
Liquidous temperature (T <sub>L</sub> )	217 °C
Time (t <sub>L</sub> ) maintained above T <sub>L</sub>	60-150 seconds
Min. Peak temperature (T <sub>p</sub> min)	235°C
Max. Peak temperature (T <sub>p</sub> max)	260°C
Time (t <sub>p</sub> ) within 5 °C of the specified classification temperature (T <sub>c</sub> )	30 seconds max.
Ramp-down rate (T <sub>p</sub> to T <sub>L</sub> )	6 °C/second max.
Time 25 °C to peak temperature	8 minutes max.

**Standard Electrical Specifications**

Type \ Item	Power Rating at 70°C	Operating Temp. Range	Max. Operating Current	Resistance Range (mΩ)		TCR (PPM/°C)
				±1% (E24 · E96)	±5% (E24)	
CSW08 (0508)	1/2W	-55 ~ +155°C	7.07A	10-27(E24)	±600	
				30- 510	±200	
CSW62 (0612)	3/4W		8.66A	10-27(E24)	±600	
				30- 510	±200	
CSW20 (1020)	1W		10A	10-27(E24)	±600	
				30- 750	±200	
CSW25 (1225)	1.5W		12.24A	10-27(E24)	±600	
				30- 750	±200	

**High Power Rating Electrical Specifications**

Type \ Item	Power Rating at 70°C	Operating Temp. Range	Max. Operating Current	Resistance Range (mΩ)		TCR (PPM/°C)
				±1% (E24、E96)	±5% (E24)	
CSW08 (0508)	1W	-55~+155°C	10.0A	10 - 27(E24)		±600
				30 - 510		±200
CSW62 (0612)	1.5W		12.2A	10 - 27(E24)		±600
				30 - 510		±200
CSW20 (1020)	2W		14.1A	10 - 27(E24)		±600
				30 - 750		±200
CSW25 (1225)	3W		17.3A	10 - 27(E24)		±600
				30 - 750		±200

**High Power Rating & Low TCR Electrical Specifications**

Type \ Item	Power Rating at 70°C	Operating Temp. Range	Max. Operating Current	Resistance Range (mΩ)	TCR (PPM/°C)
				±1% (E24、E96)	
CSW08 (0508)	1W	-55~+155°C	3.16A	100 - 510	±100
CSW62 (0612)	1.5W		7.07A	30 - 510	±100
CSW20 (1020)	2W		8.16A	30 - 750	±100
CSW25 (1225)	3W		10.0A	30 - 750	±100

Operating Voltage= $\sqrt{P \cdot R}$  ; Overload Voltage= $2.5 \cdot \sqrt{P \cdot R}$  ; Operating Current= $\sqrt{P/R}$

■ Viking is capable of manufacturing the optional spec based on customer's requirement.

**Environmental Characteristics**

Item	Requirement	Test Method
Temperature Coefficient of Resistance (T.C.R.)	As Spec.	<b>JIS C 5201-1 4.8</b> <b>IEC 60115-1 4.8</b> At 25°C/-55°C and 25°C/+125°C, 25°C is the reference temperature
Short Time Overload	±(2.0%+0.05Ω)	<b>JIS C 5201-1 4.13</b> <b>IEC 60115-1 4.13</b> RCWV*2 for 5 seconds
Insulation Resistance	≥ 10G	<b>JIS C 5201-1 4.6</b> <b>IEC 60115-1 4.6</b> Max. Overload Voltage for 1 minute
Endurance	±(2.0%+0.05Ω)	<b>JIS-C-5201-1 4.25</b> <b>IEC-60115-1 4.25.1</b> 70°C±2°C, RCWV for 1000 hrs with 1.5 hrs "ON" and 0.5 hr "OFF"
Damp Heat with Load	±(2.0%+0.05Ω)	<b>JIS-C-5201-1 4.24</b> <b>IEC-60115-1 4.24</b> 40±2°C, 90~95% R.H., RCWV for 1000hrs with 1.5 hrs "ON" and 0.5 hr "OFF"
Dry Heat	±(1.0%+0.05Ω)	<b>JIS-C-5201-1 4.23</b> <b>IEC-60115-1 4.23.2</b> at +155°C for 1000 hrs
Bending Strength	±(1.0%+0.05Ω)	<b>JIS-C-5201-1 4.33</b> <b>IEC-60115-1 4.33</b> Bending once for 60 seconds with 3mm

**Current Sensing Chip Resistor (Wide Terminal)**

Item	Requirement	Test Method
Solderability	95% min. coverage	<b>JIS C 5201-1 4.17</b> <b>IEC 60115-1 4.17</b> 245±5°C for 3 seconds
Resistance to Soldering Heat	±(1.0%+0.05Ω)	<b>JIS C 5201-1 4.18</b> <b>IEC 60115-1 4.18</b> 260±5°C for 10 seconds
Voltage Proof	No breakdown or flashover	<b>JIS C 5201-1 4.7</b> <b>IEC 60115-1 4.7</b> 1.42 times Max. Operating Voltage for 1 minute CSW08:300V CSW62/20/25:400V
Leaching	Individual leaching area ≤5% Total leaching area ≤10%	<b>JIS C 5201-1 4.18</b> <b>IEC 60068-2-58 8.2.1</b> 260±5°C for 30 seconds
Rapid Change of Temperature	±(0.5%+0.05Ω)	<b>JIS-C-5201-1 4.19</b> <b>IEC-60115-1 4.19</b> -55°C (30 minutes) / +125°C (30 minutes) , 5 cycles

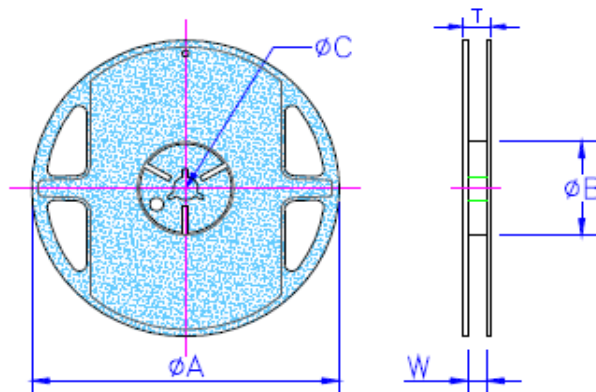
RCWV(Rated Continuous Working Voltage)= $\sqrt{P \cdot R}$  or Max. Operating Voltage whichever is lower.

■ **Storage Temperature: 15~28°C; Humidity < 80%RH**

■ **Shelf Life: 2 years from production date.**

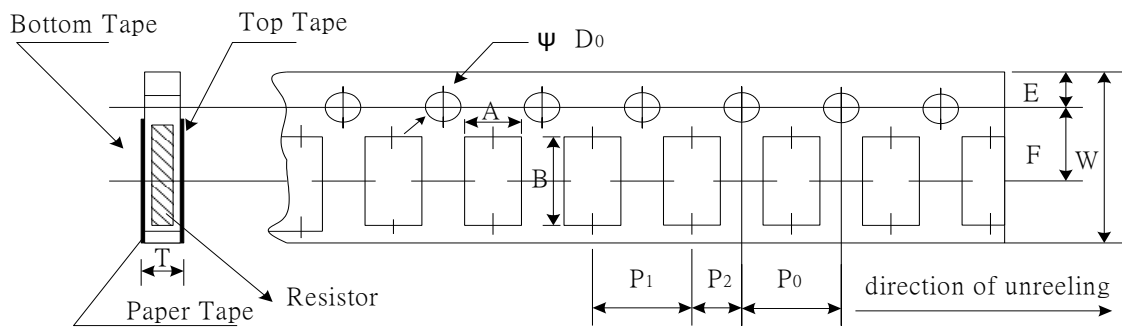
■ **Packaging**

Packaging Quantity & Reel Specifications



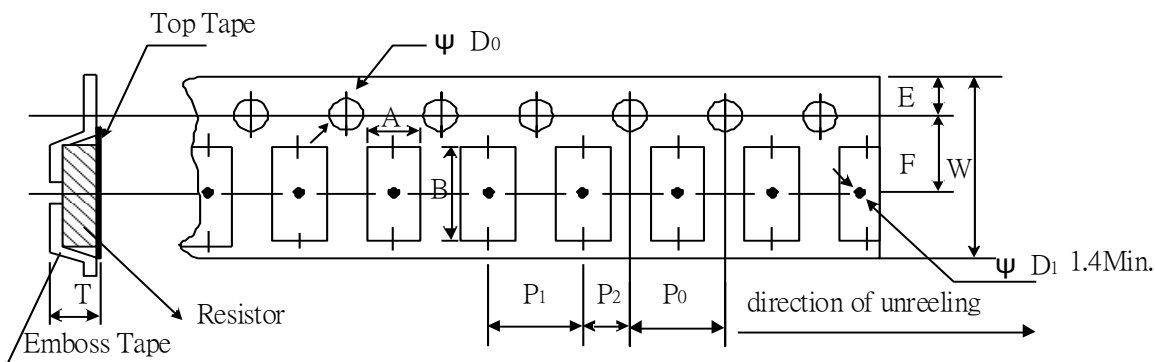
Type	ΦA (mm)	ΦB (mm)	ΦC (mm)	W (mm)	T (mm)	Paper Tape (EA)	Emboss Plastic Tape (EA)
CSW08	178.0±1.0	60.0+1.0	13.5±0.7	9.5±0.1	11.5±1.0	5,000	-
CSW62	178.0±1.0	60.0+1.0	13.5±0.7	9.5±0.1	11.5±1.0	5,000	-
CSW20	178.0±1.0	60.0+1.0	13.5±0.7	13.5±1.0	15.5±1.0	-	4,000
CSW25	178.0±1.0	60.0+1.0	13.5±0.7	13.5±1.0	15.5±1.0	-	4,000

Paper Tape Specifications



Type	A (mm)	B (mm)	W (mm)	E (mm)	F (mm)	P0 (mm)	P1 (mm)	P2 (mm)	ΦD <sub>0</sub> (mm)	T (mm)
CSW08	1.60±0.10	2.40±0.20	8.0±0.20	1.75±0.10	3.50±0.05	4.00±0.10	4.00±0.05	2.00±0.05	1.50+0.1,-0	0.85±0.10
CSW62	1.90±0.10	3.50±0.20	8.0±0.20	1.75±0.10	3.50±0.05	4.00±0.10	4.00±0.05	2.00±0.05	1.50+0.1,-0	0.85±0.10

Emboss Plastic Tape Specifications



Type	A (mm)	B (mm)	W (mm)	E (mm)	F (mm)	P <sub>0</sub> (mm)	P <sub>1</sub> (mm)	P <sub>2</sub> (mm)	ΦD <sub>0</sub> (mm)	T (mm)
CSW20	2.80±0.10	5.40±0.20	12.0±0.30	1.75±0.10	5.5±0.05	4.00±0.05	4.00±0.10	2.00±0.05	1.50+0.10	1.00±0.20
CSW25	3.38±0.10	6.68±0.10	12.0±0.30	1.75±0.10	5.5±0.10	4.00±0.10	4.00±0.10	2.00±0.05	1.50+0.10	1.00±0.20

**■ Marking**

1%, 5% for 0508/0612/1020/1225: 4 digits marking

Example:

Resistance	10mΩ	100mΩ
Marking	R010	R100

**REVISION HISTORY**

REVISION	DATE	CHANGE NOTIFICATION	DESCRIPTION
Version A	Mar 01, 2022	-	- New product release
Version A1	Jun 15, 2022	-	- Modify Soldering Condition
Version A2	Sep 13, 2022		- Add 0508 size and specification - 1020&1225 Expand the resistance range to 750mR - Add High Power Rating & Low TCR Electrical Specifications