

Data Sheet

Customer:

Product: Chip Shunt Resistor — LRS Series

Sizes.: 0630/1050/1575

Issued Date: 5-Jan-22

Edition: REV.B3



VIKING TECH CORPORATION
光韻科技股份有限公司
No.70, Guangfu N. Rd., Hukou
Township, Hsinchu County
303, Taiwan (R.O.C)

TEL:886-3-5972931
FAX:886-3-5972935•886-3-5973494
E-mail:sales@viking.com.tw

VIKING TECH CORPORATION KAOHSIUNG BRANCH
光韻科技股份有限公司高雄分公司
No.248-3, Sin-Sheng Rd., Cian-Jhen Dist., Kaohsiung,
806, Taiwan

TEL:886-7-8217999
FAX:886-7-8228229
E-mail:sales@viking.com.tw

VIKING ELECTRONICS (WUXI) CO., LTD.
光韻電子(無錫)有限公司
No.22 Xixia Road, Machinery & Industry Park,
National Hi-Tech Industrial Development Zone
of Wuxi, Wuxi, Jiangsu Province, China
Zip Code:214028
TEL:86-510-85203339
FAX:86-510-85203667•86-510-85203977
E-mail:china@viking.com.tw

Produced by (QC)	Checked (QC)	Approved by (QC)	Prepared by (Sales)	Accepted by (Customer)
5-Jan-22	5-Jan-22	5-Jan-22	5-Jan-22	
<i>Mandy Chen</i>	<i>Ben Chang</i>	<i>Ben Chang</i>		

Chip Shunt Resistor



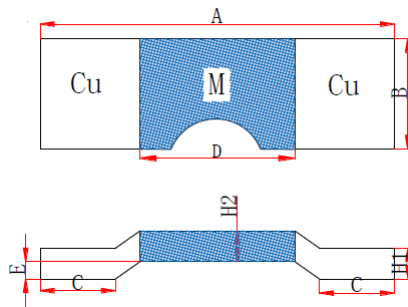
■ Features

- Resistance value from 0.2mΩ~5mΩ
- Electron beam welding, stable performance
- RoHS compliant
- Excellent long term stability

■ Applications

- Switching Power Supply
- Voltage Regulation Module
- PDA and Cell Phone
- Power Module
- Frequency Converters
- DC-DC Converter, Adapter, Battery Pack, Charger
- Current Sensor for Power Hybrid Sources
- High Current Handling for Automotive Engine Controls and Power Management

■ Construction



■ Dimensions

Type	Resistance (mΩ)	Material	A (mm)	B (mm)	C (mm)	D (mm)	E (mm)	H1 (mm)	H2 (mm)
LRS0630	0.9	Manganin	6.35±0.30	3.05±0.30	1.14±0.30	3.00±0.30	0.35±0.10	0.45±0.10	0.45±0.10
	1 (3W)	Manganin	6.35±0.30	3.05±0.30	1.14±0.30	3.00±0.30	0.35±0.10	0.50±0.10	0.50±0.10
	1 (5W)	Manganin	6.40±0.20	3.20±0.25	1.14±0.30	3.00±0.30	0.35±0.10	0.42±0.10	0.42±0.10
	2	Kamar	6.40±0.20	3.20±0.25	1.14±0.30	3.00±0.30	0.35±0.10	0.65±0.10	0.65±0.10
	3	Kamar	6.40±0.20	3.20±0.25	1.14±0.30	3.00±0.30	0.35±0.10	0.43±0.10	0.43±0.10
	4	Kamar	6.40±0.20	3.20±0.25	1.14±0.30	3.00±0.30	0.35±0.10	0.32±0.10	0.32±0.10
LRS1050	0.2, 0.3	Manganin	10.50±0.30	5.00±0.30	2.00±0.30	5.00±0.30	0.50±0.10	1.50±0.20	1.50±0.20
	0.5	Manganin	10.50±0.30	5.00±0.30	2.00±0.30	5.00±0.30	0.50±0.10	0.95±0.10	0.95±0.10
	1	Manganin	10.50±0.30	5.00±0.30	2.00±0.30	5.00±0.30	0.50±0.10	0.43±0.10	0.43±0.10
	2	NiCr alloy	10.50±0.30	5.00±0.30	2.00±0.30	5.00±0.30	0.50±0.10	0.65±0.10	0.65±0.10
	3	NiCr alloy	10.50±0.30	5.00±0.30	2.00±0.30	5.00±0.30	0.50±0.10	0.43±0.10	0.43±0.10
	4	NiCr alloy	10.50±0.30	5.00±0.30	2.00±0.30	5.00±0.30	0.50±0.10	0.28±0.10	0.28±0.10
	5	NiCr alloy	10.50±0.30	5.00±0.30	2.00±0.30	5.00±0.30	0.50±0.10	0.28±0.10	0.28±0.10
LRS1575	0.2	Manganin	15.00±0.30	7.75±0.30	4.00±0.30	5.00±0.30	0.50±0.10	1.50±0.20	1.50±0.20
	0.4	Manganin	15.00±0.30	7.75±0.30	4.00±0.30	5.00±0.30	0.50±0.10	0.65±0.10	0.65±0.10
	0.5	Manganin	15.00±0.30	7.75±0.30	4.00±0.30	5.00±0.30	0.50±0.10	0.55±0.10	0.55±0.10
	1	Manganin	15.00±0.30	7.75±0.30	4.00±0.30	5.00±0.30	0.50±0.10	0.30±0.10	0.30±0.10
	2	NiCr alloy	15.00±0.30	7.75±0.30	4.00±0.30	5.00±0.30	0.50±0.10	0.43±0.10	0.43±0.10
	3	NiCr alloy	15.00±0.30	7.75±0.30	4.00±0.30	5.00±0.30	0.50±0.10	0.28±0.10	0.28±0.10
	5	NiCr alloy	15.00±0.30	7.75±0.30	4.00±0.30	5.00±0.30	0.50±0.10	0.20±0.10	0.20±0.10

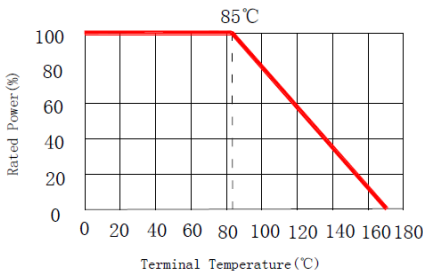
Chip Shunt Resistor

Part Numbering

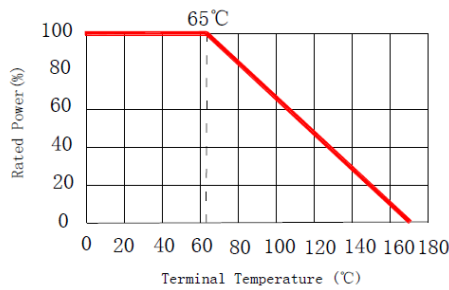
LRS	1050	F	T	W	H	0M50	M
Product Type	Dimensions	Resistance Tolerance	Packaging Code	TCR (PPM/°C)	Power Rating	Resistance	Material Code
	0630: 6.35x3.05 1050: 10.5x5.0 1575: 15.2x7.5	F: ±1% J: ±5%	T: Taping Reel	D: ±50 1: ±60 W: ±75 E: ±100 K: ±150	S: 2W B: 2.5W R: 3W C: 3.5W H: 4W D: 5W I: 6W E: 7W	0M20: 0.2mΩ 0M30: 0.3mΩ 0M50: 0.5mΩ R001: 1mΩ R002: 2mΩ R003: 3mΩ R004: 4mΩ	M: Manganin N: NiCr alloy K: Kamar

Derating Curve

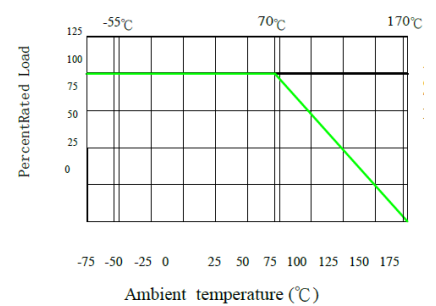
LRS0603/1050



LRS1575



LRD0630 5W



Standard Electrical Specifications

Type	Power Rating	Material	Resistance Range(mΩ)		TCR (PPM/°C)
			±1%	±5%	
LRS0630	3W	Manganin	0.9, 1		±50
	5W	Manganin	1		±150
	5W	Kamar	2, 3, 4		±50 ±100
LRS1050	2W	NiCr alloy	5		±100
	2.5W	NiCr alloy	4		±100
	3W	NiCr alloy	3		±100
	4W	Manganin	1		±60
	4W	NiCr alloy	2		±100
	4W	Manganin	0.5		±75
	5W	Manganin	0.2, 0.3		±75
LRS1575	3W	NiCr alloy	5		±100
	3.5W	NiCr alloy	3		±100
	4W	NiCr alloy	2		±100
	6W	Manganin	0.5, 1		±100
	6W	Manganin	0.4		±50
	7W	Manganin	0.2		±50

Operating Temperature range: -55 ~ 125°C

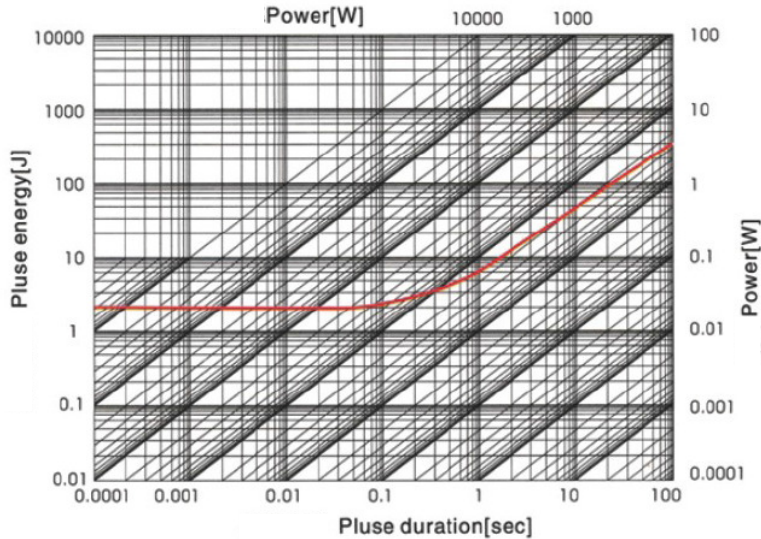
Chip Shunt Resistor

Environmental Characteristics

Item	Requirement		Test Method
	except 0603 5W	for 0603 5W	
Short time overload	$\Delta R \leq \pm 0.5\%R$		Rated Power $\times 5$ for 5 seconds
Load Life	$\Delta R \leq \pm 1.0\%R$		70°C, power rated for 1000 hours
Resistance to Soldering Heat	$\Delta R \leq \pm 0.5\%R$	$\Delta R \leq \pm 1.0\%R$	260°C for 10±1s
Thermal Shock	$\Delta R \leq \pm 0.5\%R$	$\Delta R \leq \pm 1.0\%R$	-55°C/175°C, 30min, 5 cycles
Moisture Resistance	$\Delta R \leq \pm 1.0\%R$		-55°C, 93±3%RH, 56d
High Temperature Exposure	$\Delta R \leq \pm 1.0\%R$		175°C for 1000 hours
Vibration	$\Delta R \leq \pm 0.5\%R$		10~200Hz, 98m/S ² , 6hours

■Storage Temperature: 5~40°C; Humidity 55~75%RH

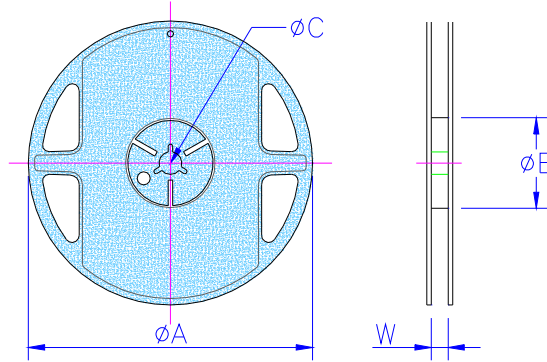
Pulse Energy



Chip Shunt Resistor

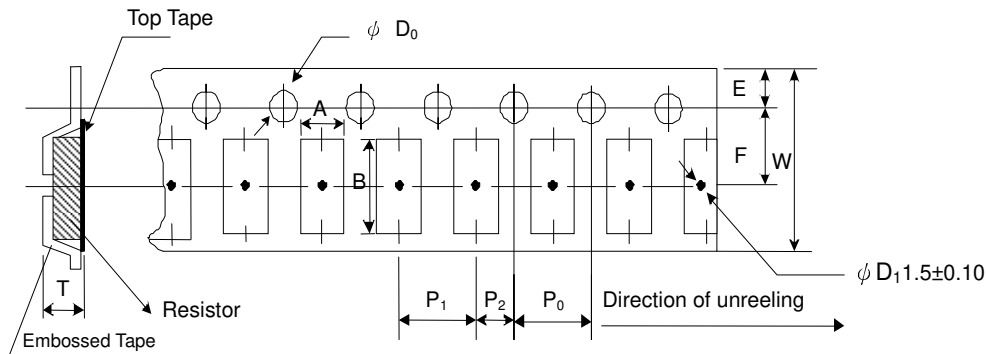
■ Packaging

Reel Specifications & Packaging Quantity



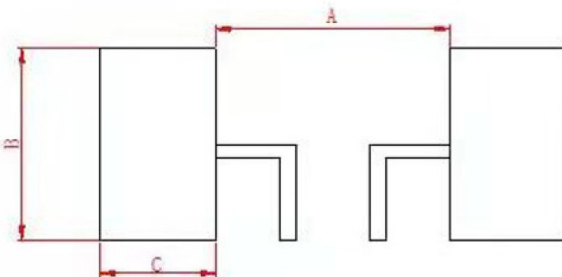
Type	Packaging Quantity		Tape Width	Reel Diameter	ΦA (mm)	ΦB (mm)	ΦC (mm)	W (mm)
LRS0630	Embossed	5K	16mm	13 inch	330.5±1.0	99.5±0.5	13.2+0.3/-0.2	17.4±0.5
LRS0630 (5W)	Embossed	4K	16mm	13 inch	330.0±2.0	60.0±1.0	13.5±0.5	17.0±1.0
LRS1050	Embossed	3K	24mm	13 inch	330.5±1.0	99.5±0.5	13.2+0.3/-0.2	25.4±0.5
LRS1575	Embossed	2K	24mm	13 inch	330.5±1.0	99.5±0.5	13.2+0.3/-0.2	25.4±0.5

Embossed Plastic Tape Specifications



Type	A (mm)	B (mm)	W (mm)	E (mm)	F (mm)	P ₀ (mm)	P ₁ (mm)	P ₂ (mm)	ΦD ₀ (mm)	T (mm)
LRS0630	3.50±0.10	6.80±0.10	16.0±0.30	1.75±0.10	7.5±0.15	4.00±0.10	8.00±0.10	2.00±0.05	1.50+0.1, -0	1.45±0.10
LRS0630 (5W)	3.50±0.10	6.80±0.10	16.0±0.30	1.75±0.10	5.5±0.15	4.00±0.10	8.00±0.10	2.00±0.05	1.50+0.1, -0	1.80±0.10
LRS1050	5.70±0.10	11.20±0.10	24.0±0.30	1.75±0.10	11.5±0.15	4.00±0.10	8.00±0.10	2.00±0.10	1.50+0.1, -0	2.05±0.10
LRS1575	8.20±0.10	15.90±0.10	24.0±0.30	1.75±0.10	11.5±0.15	4.00±0.10	12.00±0.10	2.00±0.10	1.50+0.1, -0	2.05±0.10

■ Recommend Land Pattern



Type	A (mm)	B (mm)	C (mm)
LRS0630	7.00±0.10	3.40±0.10	1.80±0.10
LRS1050	5.60±0.15	6.20±0.30	2.70±0.30
LRS1575	5.60±0.15	8.75±0.30	5.20±0.30